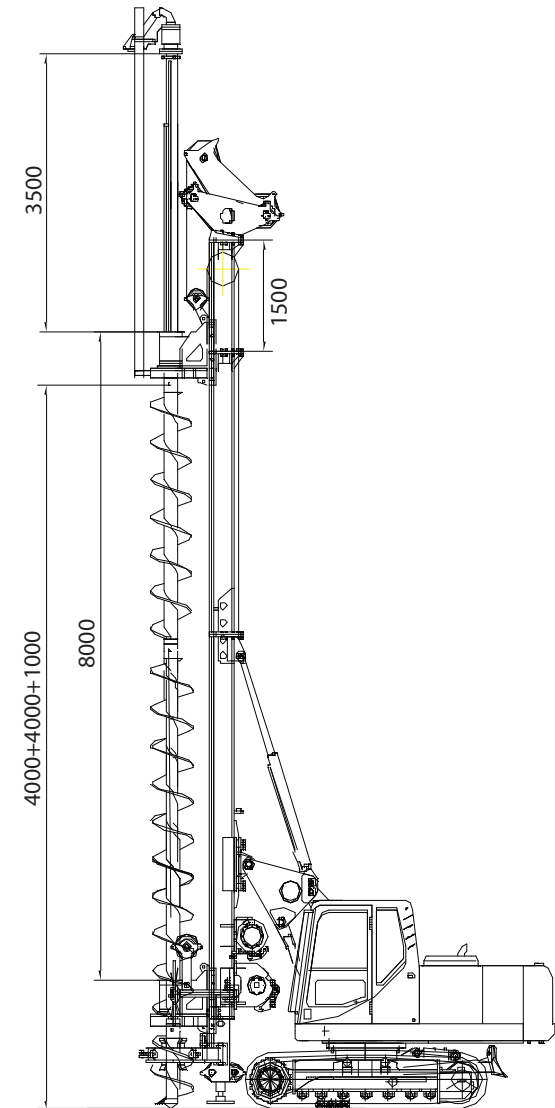
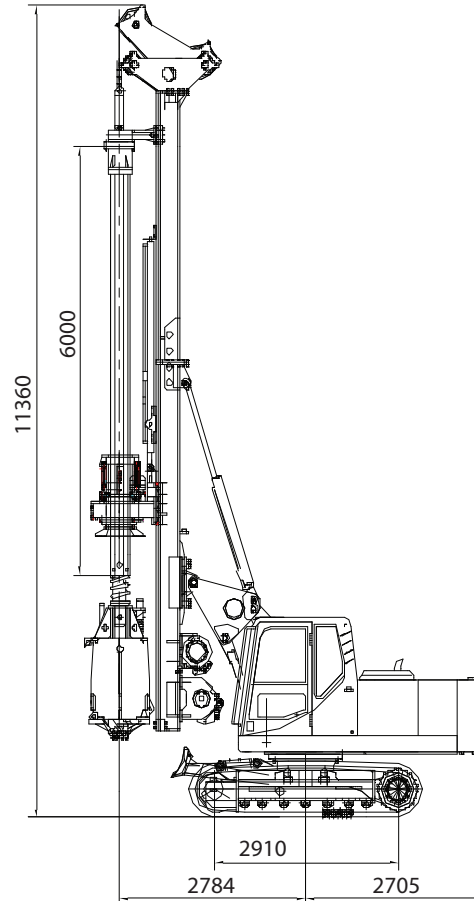
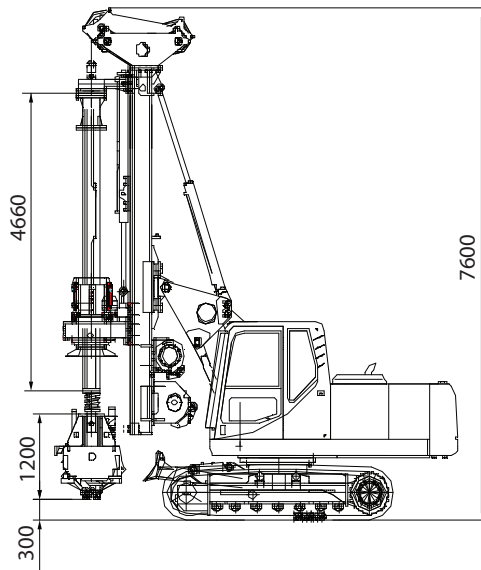




## Mechanical Specification FR60 Rig

Description	Drill Depth	Mark
FR60 - Low headroom	18m	5 - Elements Kelly Bar
FR60 - Standard	21m	
FR60 - CFA	11m	Double force



### Piling / Anchoring / Mining

- > Drilling Accessories & Consumables
- > Spare Parts
- > Consulting & Project Management

- ☎ +61 481 333 037
- ✉ dean@bettindrilling.com.au
- 🌐 www.bettindrilling.com.au
- 📍 U5 / 5 Harbord St, CLYDE NSW 2124