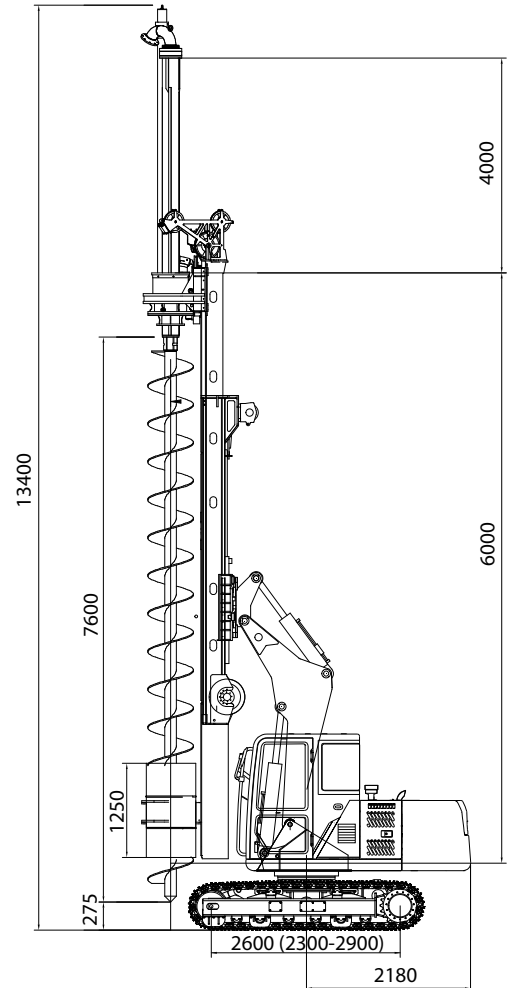
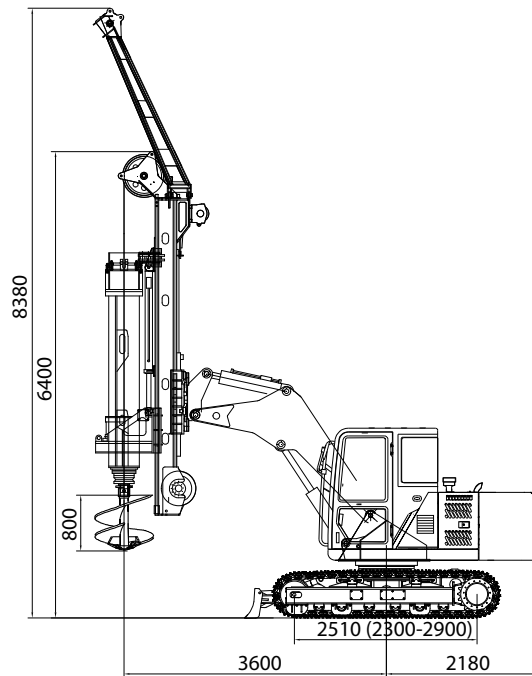
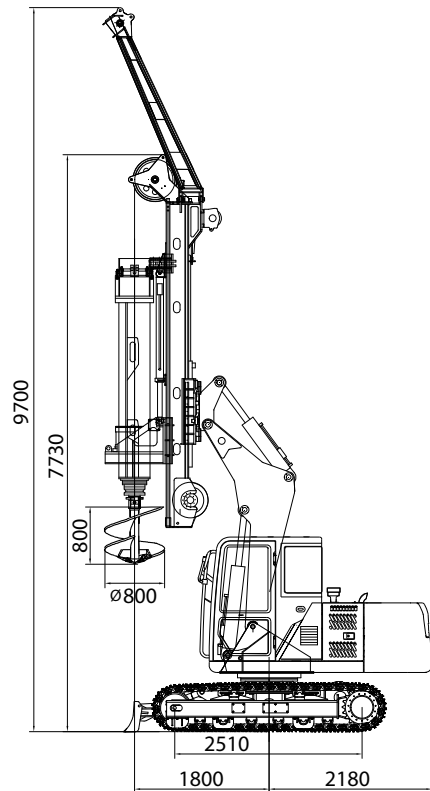
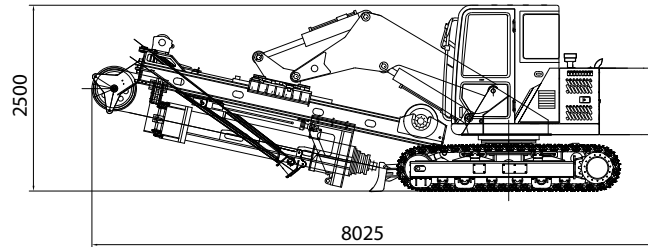




Mechanical Specification FR50-A Rig

Description	Drill Depth	Detail
FR50-A Bored	13.0m	419 / 7*2.7m Bar
FR50-A CFA Mast Crowd System	11.0m	7.6m Auger / 3.4m Ext



Piling / Anchoring / Mining

- > Drilling Accessories & Consumables
- > Spare Parts
- > Consulting & Project Management

- +61 481 333 037
- dean@bettindrilling.com.au
- www.bettindrilling.com.au
- U5 / 5 Harbord St, CLYDE NSW 2124