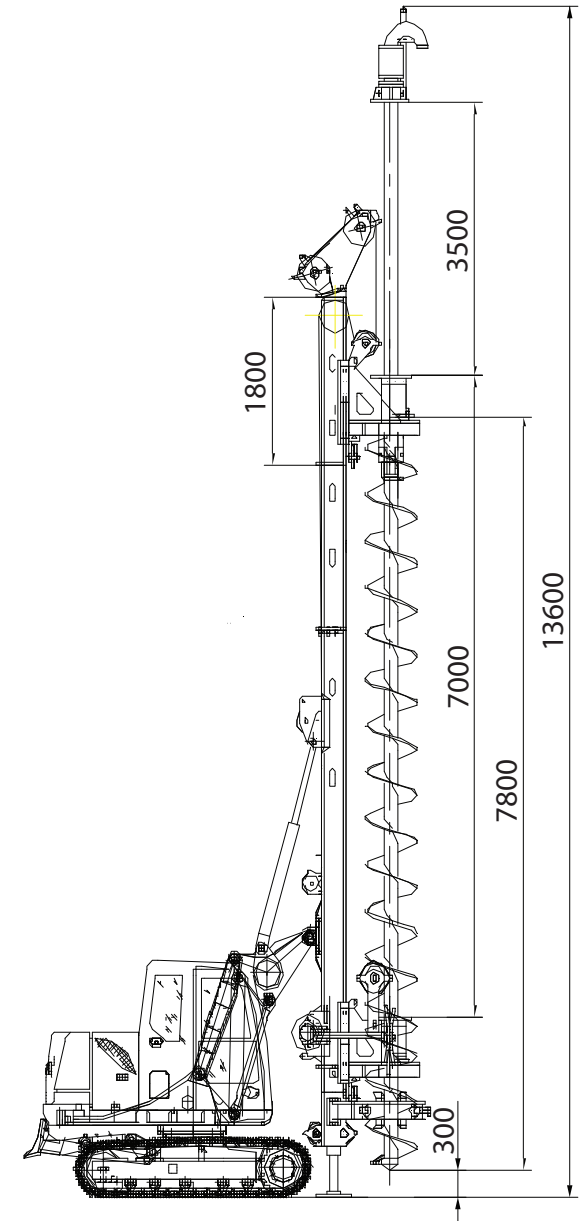
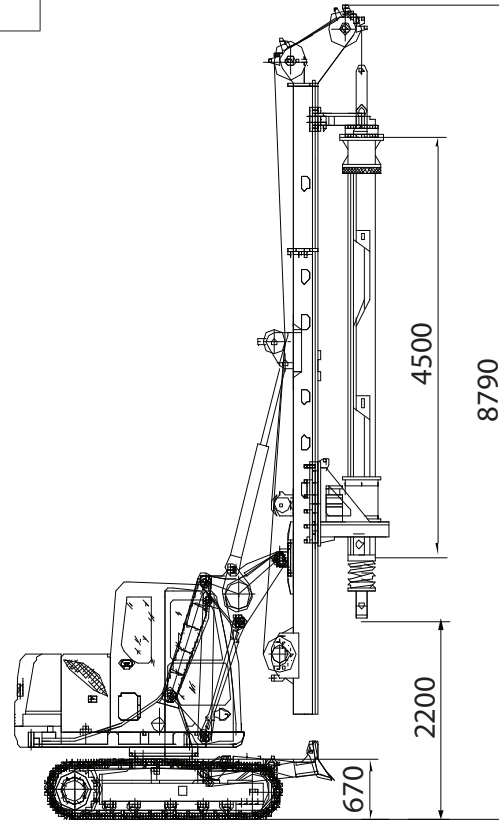
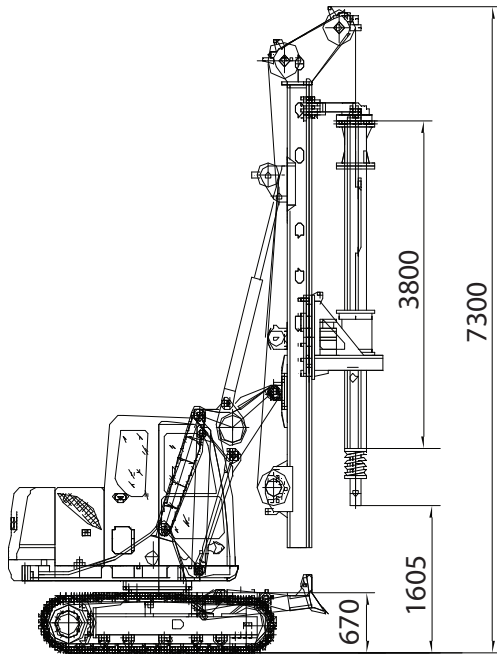




Mechanical Specification FR45 Rig

Description	Drill Depth	Mark
FR45 - Low headroom	12m	4 - Elements Kelly Bar
FR45 - Standard	15m	
FR45 - CFA	10m	Double force



Piling / Anchoring / Mining

- > Drilling Accessories & Consumables
- > Spare Parts
- > Consulting & Project Management

- ☎ +61 481 333 037
- ✉ dean@bettindrilling.com.au
- 🌐 www.bettindrilling.com.au
- 📍 U5 / 5 Harbord St, CLYDE NSW 2124